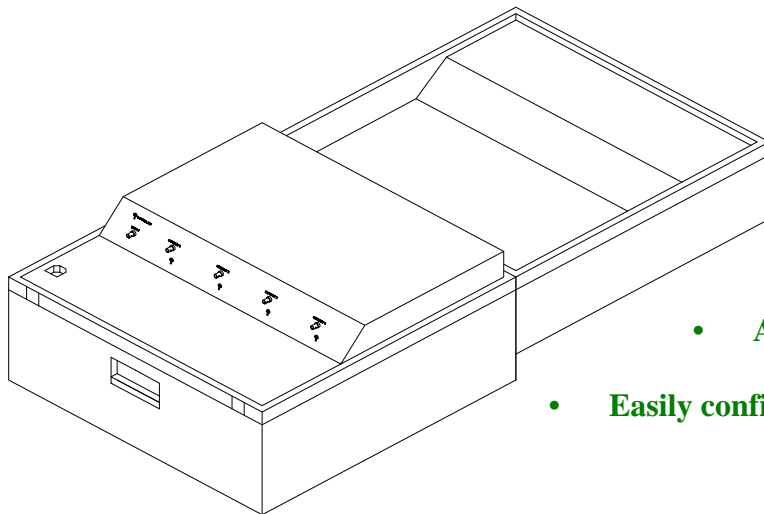


FIBRE OPTIC NETWORK SIMULATOR

FONS *Series*



FEATURES

- **Portable.**
- **Rugged.**
- **Available in custom lengths**
- **Easily configured**

DESCRIPTION

The Fibre Optic Network Simulator or FONS provides a technician with a true optical fibre path of different lengths which can be tapped to add or reduce the effects of attenuation and time delay to equipment under test. The FONS is simple to use and is available in standard 25, 50 and 100 Km. total lengths. The lengths can then be broken down into 4 segments to provide a variable length network using optical switching technology.

The FONS is also available in custom lengths of up to 100 Km. total length and 25 Km. segment lengths with a maximum of 4 segments. Additional impairments such as patch panels, multiple splices, fusion and mechanical splices, and macro-bends can be added to make the FONS a valuable training aid for technicians wishing to improve their troubleshooting skills.

Packaged in a rugged, portable, self contained ATA approved case the FONS is a useful tool for research and development centers, equipment evaluation labs and training facilities. The FONS is available in either single-mode or multimode fibre cable configuration.